

Renewable Energy - Feed-in Tariff

30 May 2019

Renewable Energy Feed-in Tariff



CLP Power will **purchase the electricity produced by an approved renewable energy (RE) system** once it is successfully connected to the company's power grid.



Beneficiaries

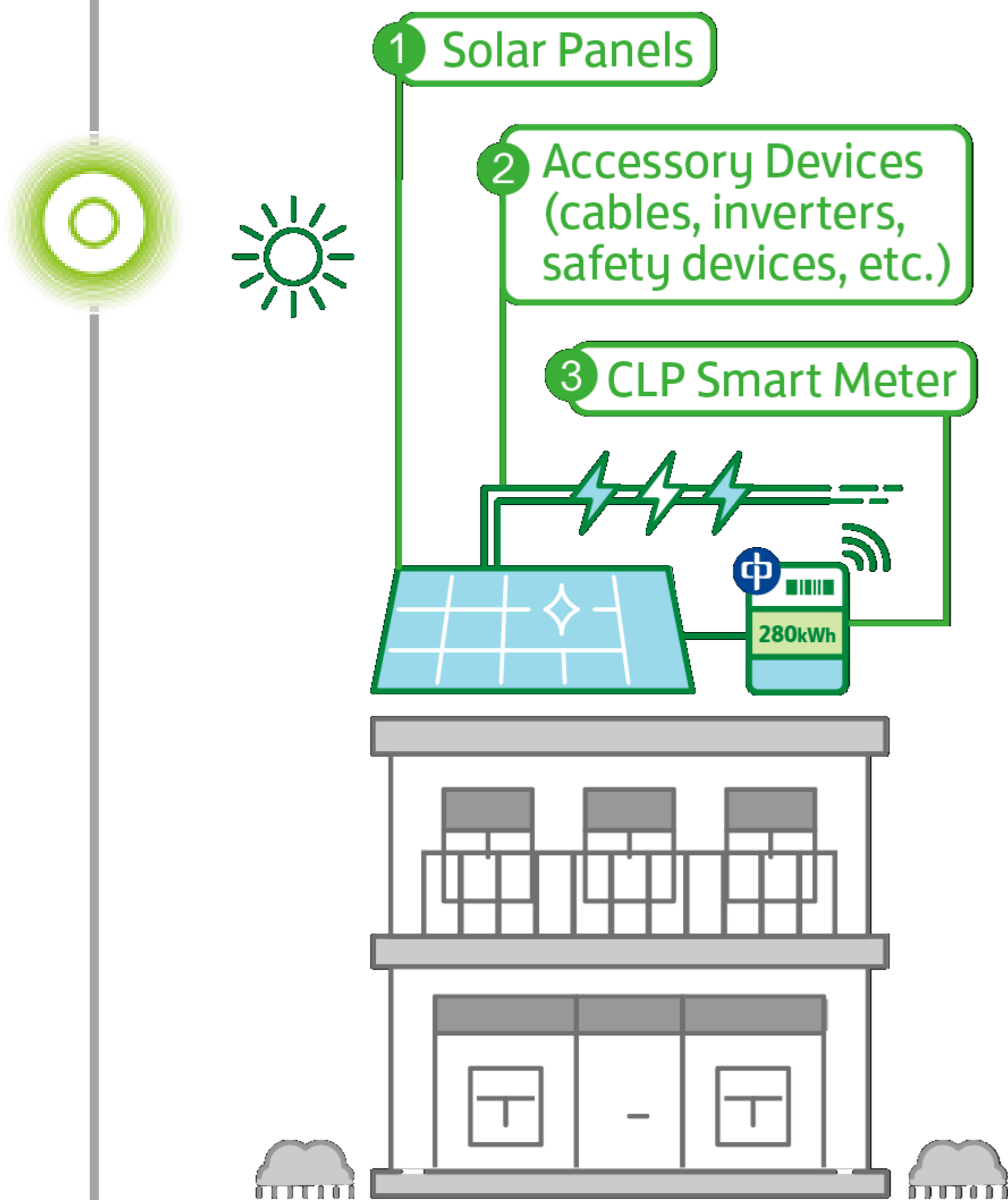


CLP customers excluding Governmental bodies

RE System Capacity	FiT Rate (per unit)
Capacity $\leq 10\text{kW}$	HK\$5/kWh
Capacity $>10\text{kW} - \leq 200\text{kW}$	HK\$4/kWh
Capacity $>200\text{kW} - \leq 1\text{MW}$	HK\$3/kWh

- **FiT rates may change from time to time** and the new rates will apply to new RE systems

Renewable Energy Feed-in Tariff



A Solar System in a Typical Village House

Rooftop area	700 square feet
Estimated number of solar panels installed	12pcs (approximately one third of the total rooftop area)
Renewable energy system generation capacity	Around 3kW
Estimated annual renewable energy electricity generated	Around 3,000 units
Applicable FiT rate	HK\$5 / kWh
Estimated annual FiT earning	Around HK\$15,000
Estimated system construction cost	Market rate ranges from around HK\$90,000 to HK\$150,000
Payback period	Approximately 10 years

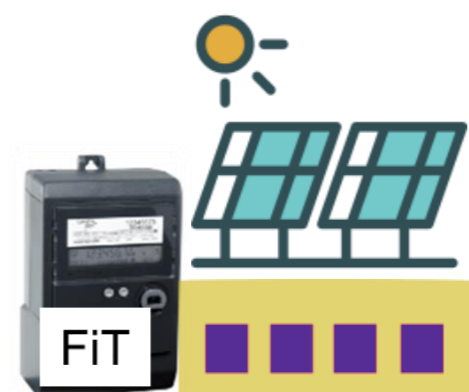


System installed in 2019

2019 system

Capacity: 8kW

Rate: \$5 /kWh



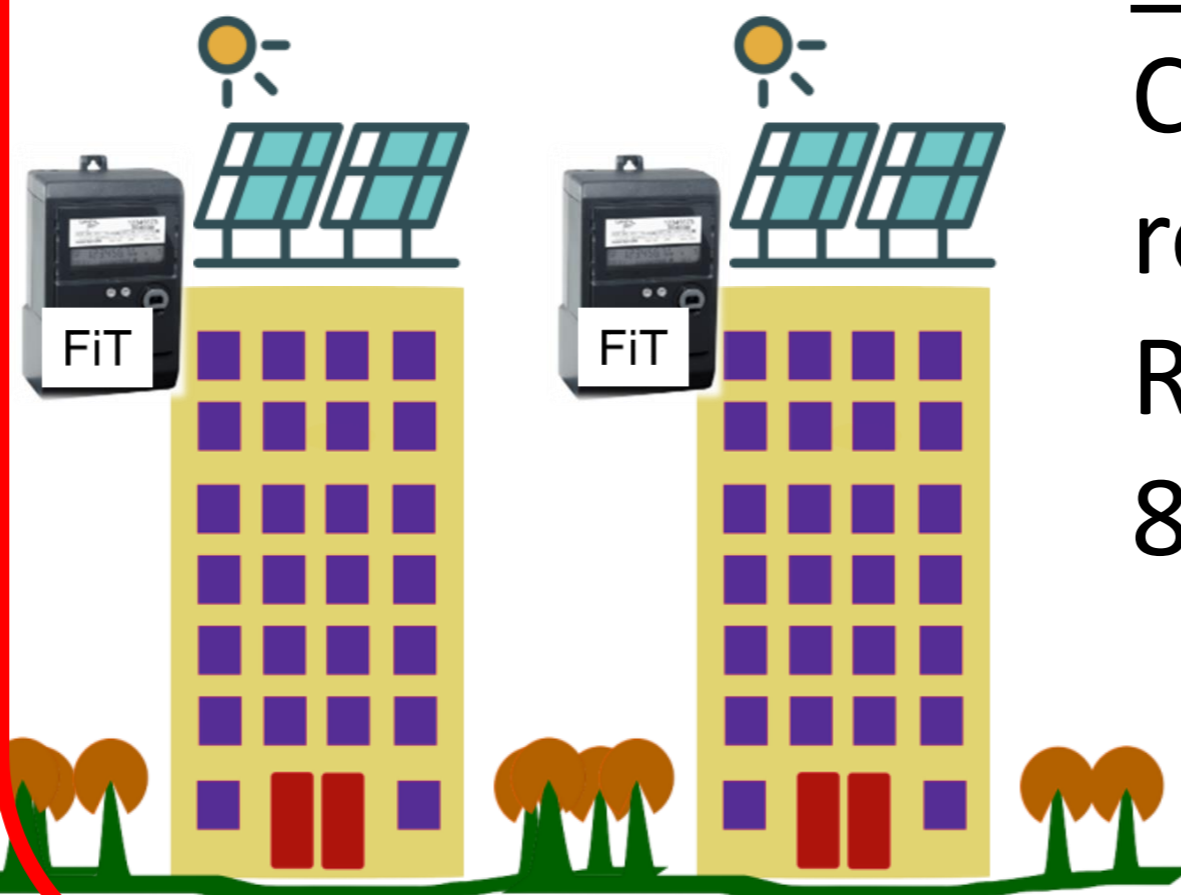
(Pay according to meter)

Additional systems in 2021

Additional systems in 2021

Capacity: Two 8kW (separate rooftop, count as separate systems)

Rate: \$X /kWh (2021 Rate) for each 8kW system



(Pay according to meter)

FiT Rates

	≤10kW	≤200kW	≤1MW
2019	\$5	\$4	\$3
2021	X	Y	Z

The FiT rate table for illustration purpose only



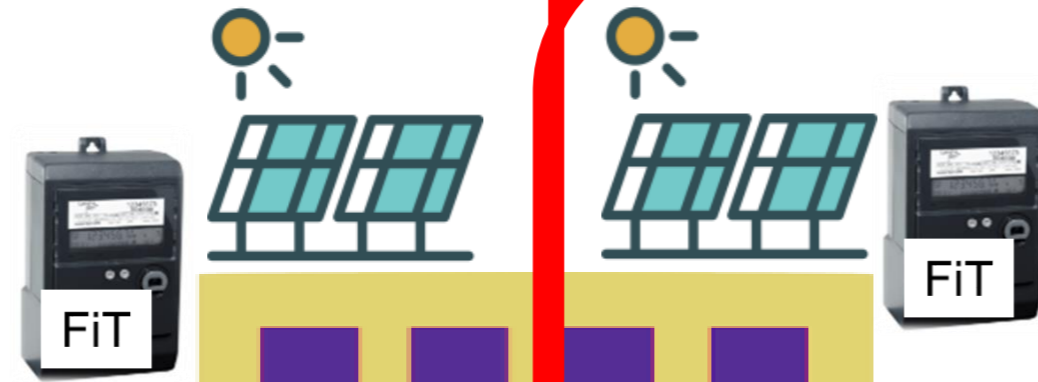
System commissioned at the beginning of 2019

2019 system

Capacity: 8kW

Rate: \$5 /kWh

(Pay according to meter)



System extension in end of 2019

Additional system

Capacity: 8kW (same rooftop, count as same system)

Rate: \$4 /kWh (count as 16kW system, i.e. >10kW)

(Pay according to meter)



FiT Rates

	≤10kW	≤200kW	≤1MW
1 st 8kW	\$5	***	***
2 nd 8kW	***	\$4	***

The FiT rate table for illustration purpose only



Application Process



Application
submission



Technical Assessment
and Renewable
Energy Construction
&



Testing and FiT
Meter Installation



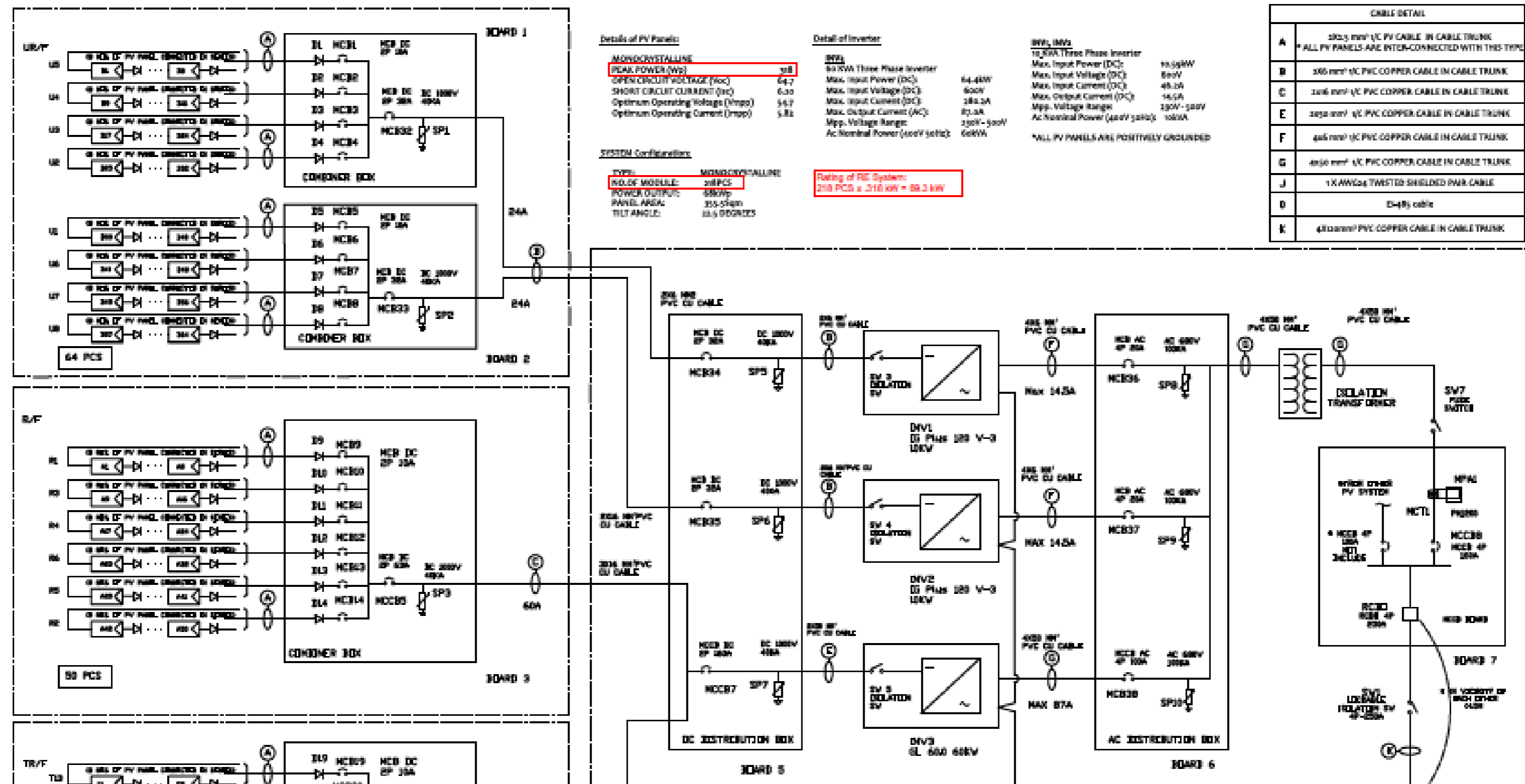
Grid Connection

Tips on Application

- Application :
 - BR copy
 - Technical drawings and layout diagrams
 - Single-line electrical diagrams
 - Major equipment information
- Network Assessment
 - If it is passed, Acknowledge Letter with provisional rate will be issued.
- Validation Period for Provisional Rates:
 - RE \leq 10kW, within 4months
 - RE $>$ 10kW, within 12months
- Project Completion
 - If all assessments are passed, FiT meter will be installed. Completion Letter with final rate will be issued.



Technical drawings and layout diagrams (2)



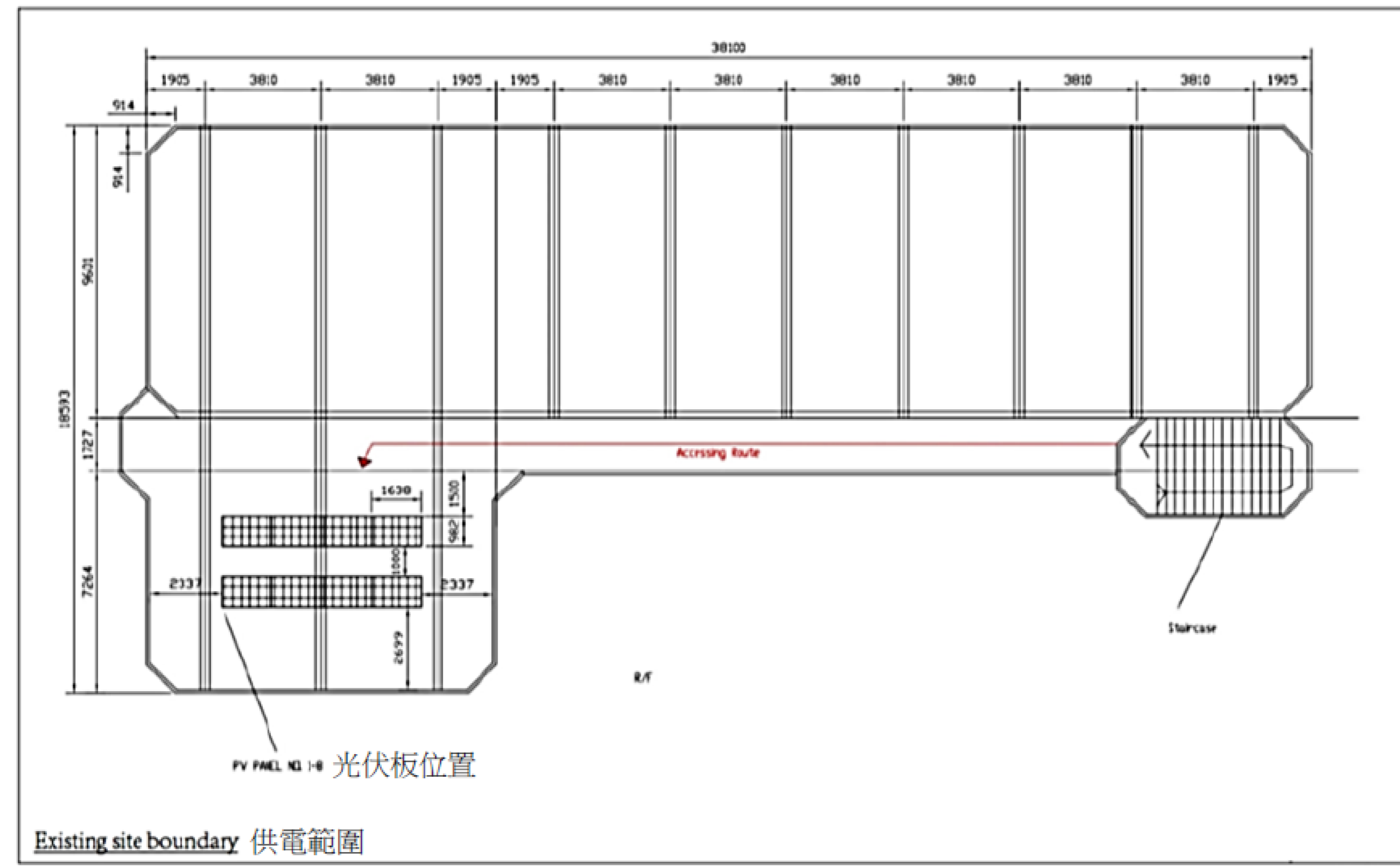


Technical drawings and layout diagrams (1)

Sample of Preliminary Layout Diagram of the Renewable Energy System 可再生能源系統初步佈局圖的樣本

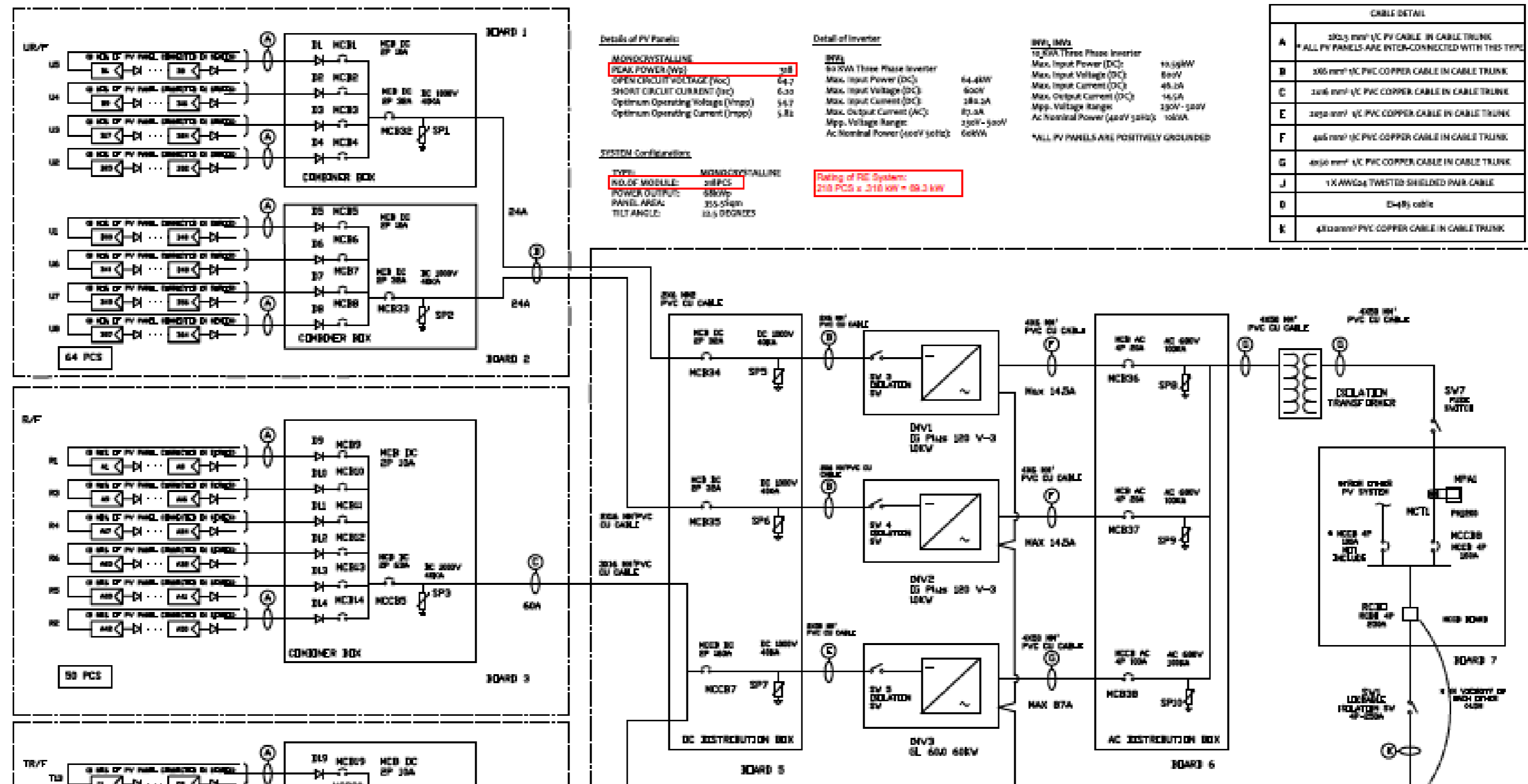
Reference number: _____ 編號: _____

RE System (PV Panel) Location Plan in the Premises 可再生能源系統初步佈局圖





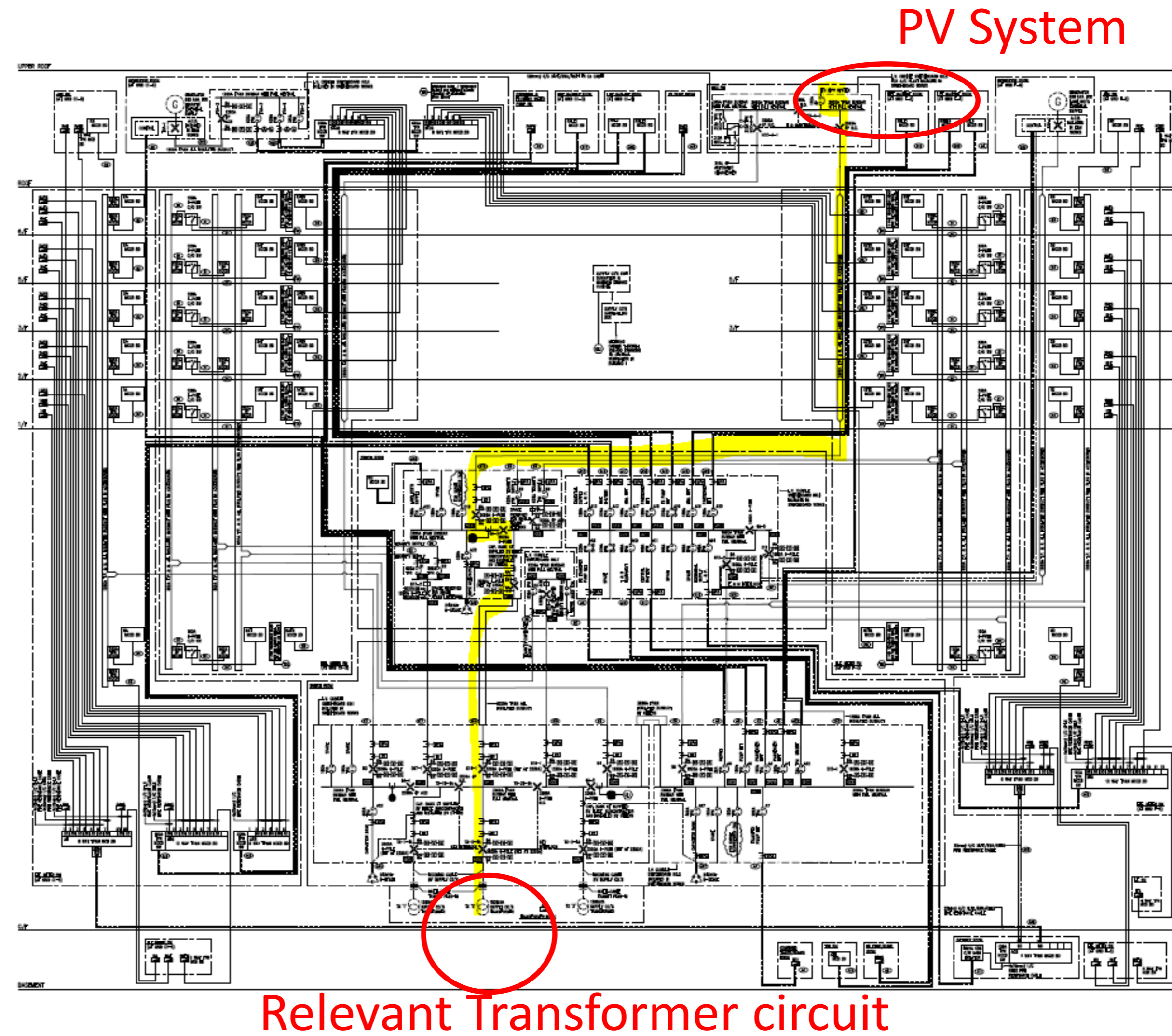
Technical drawings and layout diagrams (2)



Renewable Energy Feed-in Tariff



Single-line
electrical diagrams





Major equipment information



SUNNY BOY 1.5 / 2.5

SB 1.5-1VL40 / SB 2.5-1VL40



<p>Flexible</p> <ul style="list-style-type: none"> • Broad input voltage range • Integrated WLAN and Speedwire/ Webconnect interface with Webconnect function • Wired or wireless communication 	<p>Communicative</p> <ul style="list-style-type: none"> • New communication concept with integrated web server • System data monitoring possible via WebUI on all smartphones and tablets • Pulsating LED 	<p>Future-Proof</p> <ul style="list-style-type: none"> • OptiTrack Global Peak • Maintenance free, thanks to convection cooling • Zero feed-in ready • Direct E-Meter connection 	<p>Easy to Use</p> <ul style="list-style-type: none"> • SUNCLIX DC plug-in system • Easy installation, low weight and size, transformerless • Easy commissioning via WebUI
---	---	---	--

SUNNY BOY 1.5 / 2.5
The new standard for small PV systems

The new Sunny Boy 1.5 / 2.5 is the perfect inverter for customers with small PV systems. Thanks to its broad input voltage range of 80 V to 600 V, its versatility, flexibility in module compatibility and low weight for easy installation are impressive. After smooth commissioning via WebUI, the Sunny Boy 1.5 / 2.5 is ideal for local monitoring via the device's own wireless home network or for online monitoring with Sunny Portal or Sunny Places.

サンジュール® がさらに進化して、新登場
New Evolution of SUNJOULE®

サンジュール® SUDARE | SUNJOULE® SUDARE



セルの特長 Features of SUDARE cell

- ① 1セルユニットのサイズ: 156mm × 77.9mm
- ② 外観: 開口率 約57% (セル部分) のシースルー。
・ カットするセルの標準は単結晶なので、セルの色は黒系。
- ③ セルユニットは連続的につなげることが可能

④ Size of solar cell: 156mm × 77.9mm
 ⑤ Appearance: Opening ratio of 1 solar cell is approx 57% and color of solar cell is same as mono crystalline cells
 ⑥ SUDARE solar cells can be connected as per request

■ 例: 3ユニット
Example: 3 units




■ front ■ back

■ モジュールを通した見え方の違い (イメージ)
Difference of Visual Performance (image)




SUDARE Crystaline cell (156mm × 156mm)

単結晶セルを使用し、発電効率を維持しながら、シースルーを実現
Realize See-through by mono crystalline cell

単結晶シリコンセルを使用し、発電効率は維持しながら、シースルーを実現する新しい「サンジュール®」です。従来の「サンジュール®」同様、自由設計が可能なカスタム製品です。

By use of SUDARE solar cell, SUNJOULE® offers See-through with high efficiency. SUNJOULE® SUDARE is custom BIPV.

4



中電「可再生能源上網電價」填寫申請表指引

A部 申請人資料

1 2 註冊客戶姓名和編號號碼應與電費賬單上的相同（請參照右圖的樣本）。

B部 可再生能源系統資料

3 您的可再生能源系統必須安裝於您的註冊地址。

4 請詳列可再生能源系統的規格（假設您欲安裝12塊發電容量為250瓦的太陽能板，總發電容量為3千瓦）。

5 如果您的可再生能源系統已接駁至中電電網，請提供電網接駁協議書的參考編號。如屬首次申請，則可略過此欄。

C部 申請人的承辦商/工程聯絡人資料

6 此部分必須由負責安裝可再生能源系統的註冊承辦商填寫。

客戶在設計、安裝、運作及維修可再生能源系統時，必須符合相關的法例和指引，並達至有關安全及技術標準。
本單張所述之計劃須受條款及細則約束，詳情請瀏覽www.clp.com.hk/feed_in_tariff_residential





Only
Application-on-line
is accepted

<https://www.clp.com.hk/en>



Renewable Energy Feed-in Tariff



Click :
“Renewable Schemes”

The screenshot shows the CLP website interface. At the top left is the CLP logo with the tagline "Energy for Brighter Tomorrows". Navigation links include "My Home", "My Business", "Community & Environment", "Customer Service", "Promotions", and "About CLP".

The main banner features the "Power Connect Programme" promotion. It includes the "全♥傳電" logo and a woman holding a bag of "maxim's cakes" and a drink. A large graphic shows "+ 250 points" (Eco Rewards). Text describes the program as an energy saving initiative to help people in need, encourage energy saving, and earn rewards year-round. A "Join Now" button is present.

On the left, a "Customer Login" form has fields for "Login Name" and "Password", with "Registration" and "Forget Password" links, and a "Login" button.

A "Key Services" sidebar on the left lists: "Apply for Electricity/ Name Transfer", "Move Out", "Renewable Schemes" (circled in red), "Community Funds", and "Smart Shopping".

At the bottom, there are two report covers: "A Snapshot of 2018 Annual Report" and "2018 Sustainability Report".

Renewable Energy Feed-in Tariff



Click :
“Fit in Tariff”

CLP 中電
Energy for Brighter Tomorrows

My Home My Business Community & Environment Customer Service Promotions About CLP

RENEWABLE SCHEMES

—

Feed-in Tariff (FiT)

You can take part in the scheme by installing a solar and/or wind power renewable energy system on your premises. Once the system is successfully connected to the CLP grid, you can earn FiT payments.

RESIDENTIAL CUSTOMERS

BUSINESS CUSTOMERS

Feed-in Tariff (FiT)

Renewable Energy Certificates (RECs)

Eco Building Fund

Electrical Equipment Upgrade Scheme (EEUS)

Overview

Power Connect

Feed-in T...



**Choose your
appropriate button**

CLP 中電
Energy for Brighter Tomorrows

My Home My Business Community & Environment Customer Service

RENEWABLE SCHEMES

Feed-in Tariff (FiT)

You can take part in the scheme by installing a solar and/or wind power renewable energy system on your premises. Once the system is successfully connected to the CLP grid, you can earn FiT payments.

RESIDENTIAL CUSTOMERS

BUSINESS CUSTOMERS

Renewable Energy Feed-in Tariff



Click : Application



[My Home](#) [My Business](#) [Community & Environment](#) [Customer Service](#) [Promotions](#) [About CLP](#)

[Home](#) > [Community & Environment](#) > [Renewable Schemes](#) > [Renewable Energy Feed-in Tariff](#) > [Feed-in Tariff \(Business Customers\)](#)

Renewable Energy Feed-in Tariff (Business Customers)



[Benefits](#)

[FiT Rates](#)

[Eligibility](#)

[Application](#)

[Contact Us](#)

Powering a Smarter and Greener Tomorrow

We are entering an exciting era of smart use of energy. Everyone of us can play a part – big or small – in combating climate change. Sign up for our renewable energy schemes today and build a sustainable future together.

What is Renewable Energy Feed-in Tariff?





**Click :
Application Online**

Step 3



Completion and Grid Connection

You are reminded to ensure the design, installation, operation and maintenance of your renewable energy system comply with all applicable laws, regulations, guidelines, safety and technical requirements.

Application Methods

To apply, simply complete the electronic application form on the CLP website or CLP App and upload required documents.

Please prepare required documents and information before your submission.

1. A copy of HKID Card, Passport or Business Registration Certificate (as applicable) for identity verification purposes
2. Preliminary layout diagram of renewable energy system ([sample](#))
3. Preliminary renewable energy system information and single-line electrical diagram ([sample](#))

Apply Online



Prepare

- **Account Number**
- **Password**



Login

Customer Login

*Mandatory Field

[Forget Password](#)

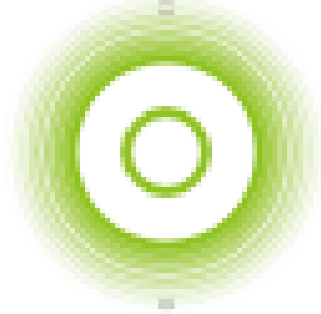
Don't have an account? [Sign up](#)
If you didn't receive your activation email, click [here](#) to resend.





Reference

- EMSD website: HK RE Net (re.emsd.gov.hk)
- Customers shall at least comply with the following laws and regulations for the installation of renewable energy systems, including:
 - Electricity Ordinance 《電力條例》
 - Buildings Ordinance 《建築物條例》
 - Business Registration Ordinance 《商業登記條例》
 - Inland Revenue Ordinance 《稅務條例》
 - Conditions of the respective land leases, etc 有關土地契約上訂明的條款等等



- Thank You -

